

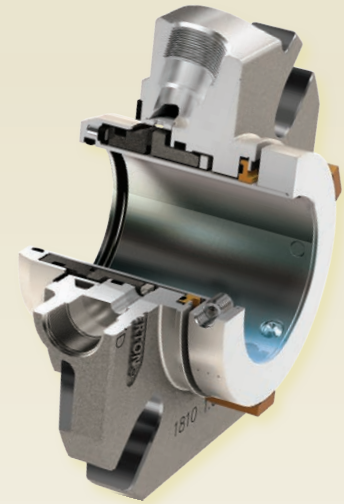
1810

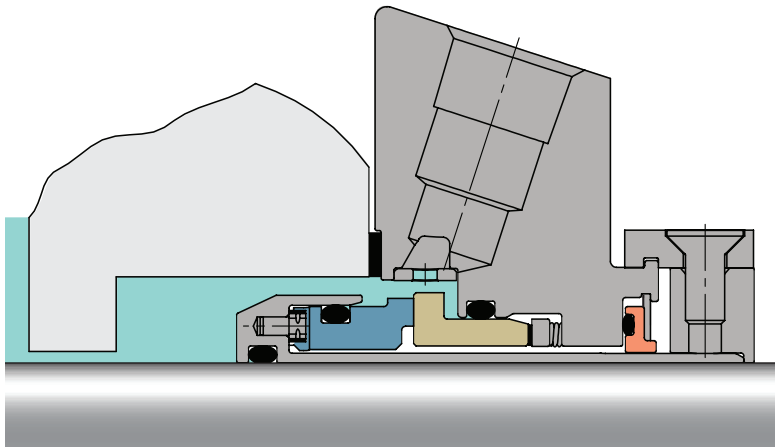
Heavy-Duty Modular Single Cartridge Seal

Built on Chesterton's AXIUS™ modular platform for simple configuration and installation plant-wide

This Chesterton® single cartridge seal offers you the ultimate in seal quality, flexibility, and convenience. Leveraging Chesterton's proprietary AXIUS modular platform, the 1810 can be configured with several different face profiles and auxiliary components which allows performance to be tailored to a wide range of process conditions.

A plant-wide sealing solution, the 1810 is effective for both simple and highly demanding applications. It offers selectable features around a common gland housing. This flexibility allows for the creation of the best sealing parameters for your equipment and application needs to maximize single seal reliability.




 Chesterton® Modular Platform


Advantages

- Simplifies configuration and maximizes seal performance with the AXIUS™ modular platform
- Maintains reliability throughout temperature cycling and stop/start processes with monolithic seal faces
- Increases face life and reduces contact stress with cushioned drive pins
- Allows for easy, positive seal identification with ViewIn™ technology

SPECIFICATIONS

Operating Parameters

Sizes	25 mm – 120 mm 1.00" – 4.75"
Pressure	711 mm or 28" Hg Vacuum to 40 bar g (600 psig*)
Temperature	-55°C – 300°C (-67°F – 570°F) Temperature limits depend on actual elastomers used
Speed	25 m/s (5000 fpm)

Applicable Standards and Approvals

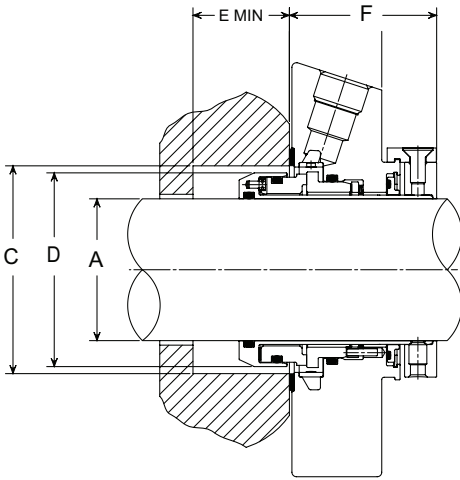
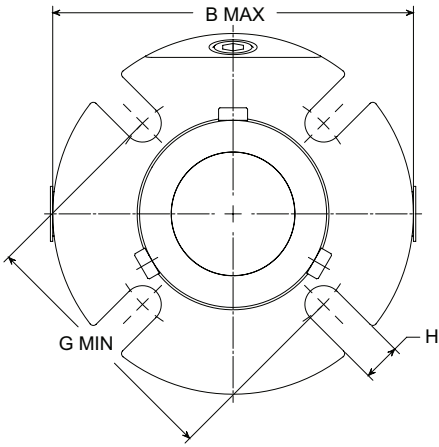
ISO-3069C, ASME B73.1, B73.2

* Seal pressure capabilities are dependent on the fluid sealed, temperature, speed, and seal face combinations. For operation outside the limits and additional materials consult Chesterton Mechanical Seal Engineering.

Materials of Construction

Rotary Faces	CB SSC TC
Stationary Faces	SSC TC
Elastomers	FKM EPDM FEPM FFKM
Metal Parts	316 Stainless Steel (EN 1.4401)
Springs	Alloy C-276 (EN 2.4819)

Dimensional Data



1810 KEY

- A – Shaft Size
- B – Maximum Gland Diameter
- C – Seal Chamber Bore
- D – Seal Outside Diameter
- E – Minimum Seal Chamber Depth
- F – Outboard Seal Length
- G – Minimum Bolt Circle by Bolt Size
- H – Slot Width

Metric

A	B MAX	C MIN	C MAX	D MAX	E MIN	F MAX	10 mm	12mm	G MIN	16 mm	20 mm	H
25	104,0	44,2	51,0	43,0	18,5	49,5	72,7	—	—	—	—	11,0
28	104,0	47,2	51,0	46,2	18,5	49,5	72,7	—	—	—	—	11,0
30	104,0	49,3	56,0	47,6	18,5	49,5	77,6	—	—	—	—	11,0
30 OS	126,6	59,4	68,1	47,4	18,5	49,5	90,0	—	—	—	—	11,2
32	110,7	51,1	57,0	50,6	18,5	49,5	79,7	—	—	—	—	14,0
33	110,7	52,1	58,0	50,6	18,5	49,5	79,2	81,2	—	—	—	14,0
35	110,7	54,1	59,0	52,5	18,5	49,5	82,9	84,9	—	—	—	14,0
38	113,9	57,2	66,0	55,7	18,5	49,5	86,3	88,3	—	—	—	14,0
40	126,6	59,2	68,0	57,6	18,5	49,5	88,1	90,1	—	—	—	14,0
40 OS	126,6	69,1	74,2	57,6	18,5	49,5	96,5	—	—	—	—	11,2
42	126,6	61,2	68,0	59,6	18,5	49,5	88,6	90,6	—	—	—	14,0
43	126,6	62,2	68,0	60,6	18,5	49,5	93,7	95,7	—	—	—	14,0
45	139,0	64,3	73,0	62,6	18,5	49,5	93,1	95,1	—	—	—	14,0
48	139,0	67,1	73,0	65,6	18,5	49,5	93,5	95,5	—	—	—	14,0
50	139,0	69,1	78,0	67,6	18,5	49,5	98,2	100,2	—	—	—	14,0
50 OS	152,0	84,9	96,3	67,6	18,5	49,5	118,6	120,6	—	—	—	14,5
53	152,0	72,1	87,0	71,6	18,5	49,5	108,0	110,0	114,0	—	—	17,0
55	152,0	74,2	83,0	72,6	18,5	49,5	104,2	106,2	110,2	—	—	17,0
58	152,0	77,2	91,0	77,9	18,5	49,5	112,6	114,6	118,6	—	—	17,0
60	152,0	79,2	91,0	77,9	18,5	49,5	112,6	114,6	118,6	—	—	17,0
60 OS	164,7	96,1	107,4	77,9	18,5	49,5	129,8	131,8	—	—	—	14,5
65	163,8	84,1	100,0	84,3	18,5	49,5	127,1	129,1	133,1	—	—	17,0
70	196,0	95,5	111,3	93,2	24,4	63,0	—	137,0	141,1	—	—	17,5
75	202,0	101,6	119,1	99,4	24,4	63,0	—	142,8	146,9	—	—	17,5
80	203,0	106,0	122,2	103,3	24,4	63,0	—	150,2	154,3	—	—	17,5
85	211,0	111,3	128,0	109,0	24,4	63,0	—	156,5	160,7	165,0	20,6	20,6
90	215,0	115,6	131,8	113,2	24,4	63,0	—	159,6	163,7	167,6	20,6	20,6
95	222,0	120,7	136,9	118,5	24,4	63,0	—	161,4	165,5	170,0	20,6	20,6
100	228,0	127,0	144,0	124,8	24,4	63,0	—	168,5	172,3	177,0	20,6	20,6
110	238,0	136,7	154,0	134,4	24,4	63,0	—	177,9	181,7	185,9	20,6	20,6
120	267,0	146,1	164,3	143,9	24,4	63,0	—	191,3	195,2	199,3	20,6	20,6

Inch

A	B MAX	C MIN	C MAX	D MAX	E MIN	F MAX	3/8"	1/2"	G MIN	5/8"	3/4"	H
1.000	4.09	1.75	2.01	1.69	0.73	1.95	2.87	—	—	—	—	0.44
1.125	4.09	1.88	2.04	1.82	0.73	1.95	2.87	—	—	—	—	0.44
1.125 OS	4.49	2.24	2.79	1.81	0.73	1.95	3.65	—	—	—	—	0.43
1.250	4.09	2.00	2.27	1.94	0.73	1.95	3.14	—	—	—	—	0.44
1.375	4.36	2.13	2.33	2.07	0.73	1.95	3.26	3.38	—	—	—	0.57
1.375 OS	5.39	2.72	2.92	2.06	0.73	1.95	3.78	—	—	—	—	0.44
1.500	4.49	2.25	2.63	2.19	0.73	1.95	3.39	3.52	—	—	—	0.57
1.625	4.99	2.38	2.69	2.32	0.73	1.95	3.50	3.63	—	—	—	0.57
1.750	5.47	2.50	2.81	2.44	0.73	1.95	3.62	3.74	—	—	—	0.57
1.750 OS	6.65	3.20	3.73	2.44	0.73	1.95	4.59	4.72	—	—	—	0.57
1.875	5.47	2.63	2.94	2.57	0.73	1.95	3.74	3.87	—	—	—	0.57
1.875 OS	5.99	3.41	3.79	2.57	0.73	1.95	4.65	4.78	—	—	—	0.57
2.000	5.47	2.75	3.19	2.69	0.73	1.95	4.13	4.25	—	—	—	0.57
2.125	5.99	2.88	3.44	2.82	0.73	1.95	4.25	4.37	4.50	—	—	0.69
2.125 OS	6.99	3.70	4.23	2.82	0.73	1.95	5.09	5.22	5.34	—	—	0.69
2.250	5.99	3.00	3.56	2.94	0.73	1.95	4.37	4.49	4.62	—	—	0.69
2.375	5.99	3.13	3.59	3.07	0.73	1.95	4.56	4.68	4.81	—	—	0.69
2.375 OS	8.39	3.93	4.48	3.07	0.73	1.95	5.34	5.47	5.59	—	—	0.69
2.500	6.45	3.25	3.81	3.19	0.73	1.95	4.62	4.74	4.87	—	—	0.69
2.500 OS	7.76	3.93	5.23	3.19	0.73	1.95	6.09	6.22	6.34	—	—	0.69
2.625	6.45	3.38	3.94	3.32	0.73	1.95	5.00	5.12	5.25	—	—	0.69
2.625 OS	6.98	4.30	4.76	3.32	0.73	1.95	5.62	5.75	5.87	—	—	0.69
2.750	7.71	3.75	4.38	3.67	0.96	2.48	—	5.42	5.55	—	—	0.69
2.750 OS	7.89	4.45	4.76	3.67	0.94	2.48	—	5.75	5.87	6.00	0.81	0.81
2.875	7.83	3.88	4.50	3.79	0.96	2.48	—	5.61	5.74	—	—	0.69
3.000	7.94	4.00	4.69	3.92	0.96	2.48	—	5.65	5.78	—	—	0.69
3.000 OS	8.64	4.92	5.37	3.91	0.94	2.48	—	6.36	6.48	6.61	0.93	0.93
3.125	7.99	4.13	4.81	4.04	0.96	2.48	—	5.80	5.93	—	—	0.69
3.250	8.19	4.25	4.94	4.17	0.96	2.48	—	6.07	6.20	—	—	0.69
3.375	8.31	4.38	5.06	4.29	0.96	2.48	—	6.19	6.32	6.44	0.81	0.81
3.375 OS	8.39	5.00	5.26	4.29	0.94	2.48	—	6.23	6.35	6.48	0.81	0.81
3.500	8.44	4.50	5.19	4.42	0.96	2.48	—	6.18	6.31	6.43	0.81	0.81
3.625	8.49	4.63	5.31	4.54	0.96	2.48	—	6.42	6.55	6.67	0.81	0.81
3.750	8.72	4.75	5.39	4.67	0.96	2.48	—	6.38	6.51	6.63	0.81	0.81
3.750 OS	9.76	5.95	6.38	4.66	0.94	2.48	—	7.37	7.49	—	—	0.68
3.875	8.84	4.88	5.51	4.79	0.96	2.48	—	6.62	6.75	6.87	0.81	0.81
4.000	8.96	5.00	5.69	4.92	0.96	2.48	—	6.66	6.78	6.91	0.81	0.81
4.125	8.99	5.13	5.81	5.04	0.96	2.48	—	6.78	6.90	7.03	0.81	0.81
4.125 OS	9.76	5.96	6.26	5.04	0.94	2.48	—	7.23	7.35	7.48	0.93	0.93
4.250	8.99	5.25	5.94	5.17	0.96	2.48	—	7.07	7.19	7.32	0.81	0.81
4.375	9.34	5.38	6.06	5.29	0.96	2.48	—	7.03	7.15	7.28	0.81	0.81
4.500	9.49	5.50	6.19	5.42	0.96	2.48	—	7.18	7.30	7.43	0.81	0.81
4.500 OS	12.49	6.74	7.49	5.41	0.94	2.48	—	8.46	8.58	8.71	0.88	0.88
4.625	9.49	5.63	6.31	5.54	0.96	2.48	—	7.45	7.58	7.70	0.80	0.80
4.750	10.49	5.75	6.47	5.67	0.96	2.48	—	7.56	7.68	7.81	0.80	0.80
4.750 OS	11.39	7.20	7.63	5.66	0.94	2.48	—	8.62	8.74	8.87	0.81	0.81

Chesterton ISO certificates available on chesterton.com/corporate/iso

Distributed by:

Viewlin™ and AXIUS™ are trademarks of A.W. Chesterton Company. Technical data reflects results of laboratory tests and is intended to indicate general characteristics only. A.W. Chesterton Company disclaims all warranties express or implied, including warranties of merchantability and fitness for a particular purpose. Liability, if any, is limited to product replacement only. Any images contained herein are for general illustrative or aesthetic purposes only and are not intended to convey any instructional, safety, handling or usage information or advice respecting any product or equipment. Please refer to relevant Safety Data Sheets, Product Data Sheets, and/or Product Labels for safe use, storage, handling, and disposal of products, or consult with your local Chesterton sales representative.

© 2023 A.W. Chesterton Company
 Registered trademark owned by A.W. Chesterton Company
 in USA and other countries, unless otherwise noted.